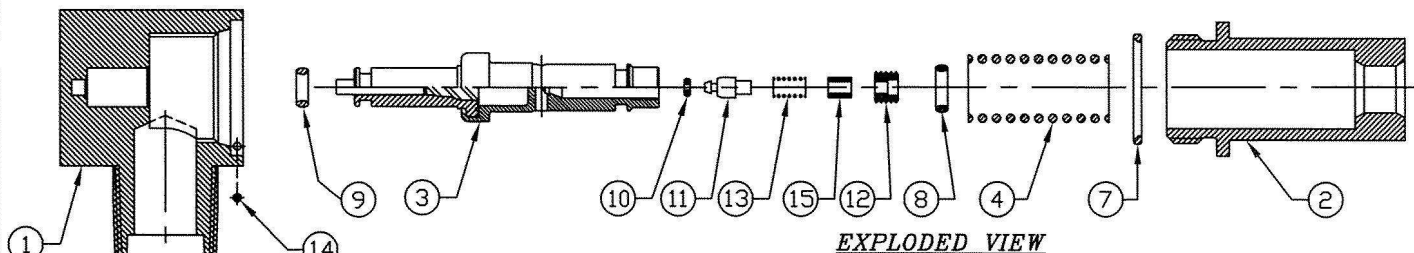
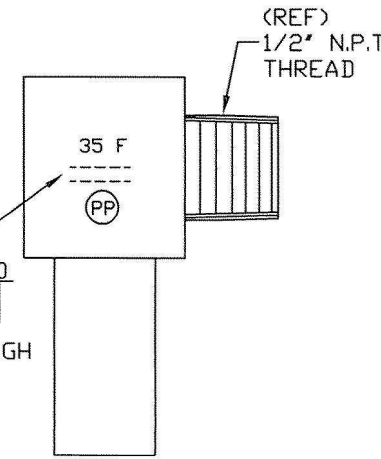


ITEM	NAME	PART NO.	QTY.
1	BODY, UPPER	4500-00-20	1
2	BODY, LOWER	ENG 10-14-21	1
3	P.E. ASSY	ENG 10-14-PE	1
4	SPRING	4504-00-05	1
5	RING, PUSH-ON	4500-00-15	1
6	WASHER, FILTER	4500-00-07	1
7	O-RING, BODY	4500-00-10	1
8	O-RING, CUP	ENG 10-14-10A	1
9	O-RING, GUIDE	4504-00-11	1
10	O-RING, VALVE	ENG 10-14-10B	1
11	VALVE	ENG 10-14-09	1
12	SET SCREW	ENG 10-14-24	1
13	SPRING	ENG 10-14-03	1
14	PIN	0015-01-08	1
15	SPACER	ENG 10-14-27	1

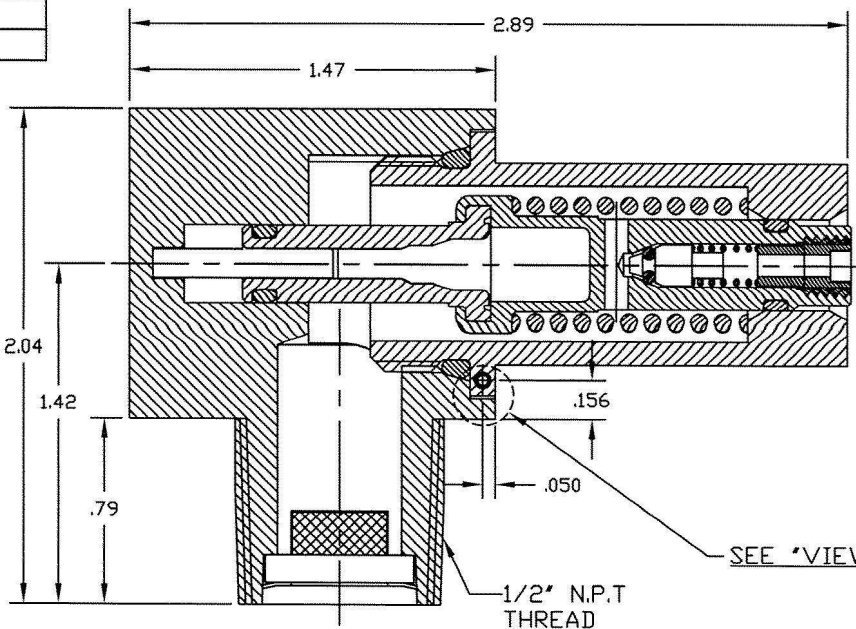


**EXPLODED VIEW**

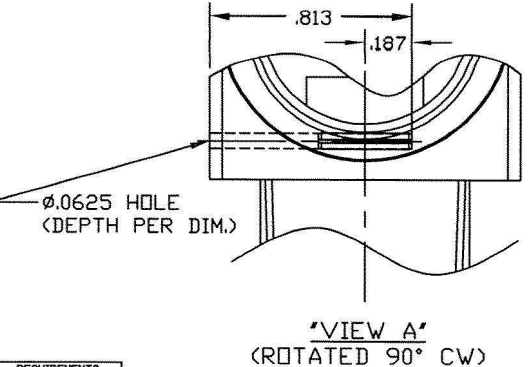


STAMPING .09 HIGH CHARACTERS. ORIENT VALVE AS SHOWN.

TEMP. °F.	"A"
34 D/C	.180 MIN.
47 U/C	.025 MAX.



- NOTES:**  
UNLESS OTHERWISE SPECIFIED:  
1) VALVE MUST NOT LEAK AT 100 PSIG.  
2) APPLY PARKER SUPER LUBE TO ITEM 8 AT ASSEMBLY.  
3) ITEMS 1 & 2 TO BE FREE OF DIRT, CHIPS, BURRS AND FOREIGN MATTER ON INSIDE PRIOR TO ASSEMBLY.



**'VIEW A'**  
(ROTATED 90° CW)

**CONFIDENTIAL NOTICE**  
ROSTRA VERMATHERN  
THIS DOCUMENT IS THE PROPERTY OF ROSTRA VERMATHERN. IT IS FURNISHED TO YOU FOR CONFIDENTIAL PURPOSES ONLY. IT IS NOT TO BE RECLOSED TO ANYONE ELSE OR REPRODUCED OR USED FOR MANUFACTURING PURPOSES WITHOUT THE EXPRESS WRITTEN PERMISSION OF ROSTRA VERMATHERN.

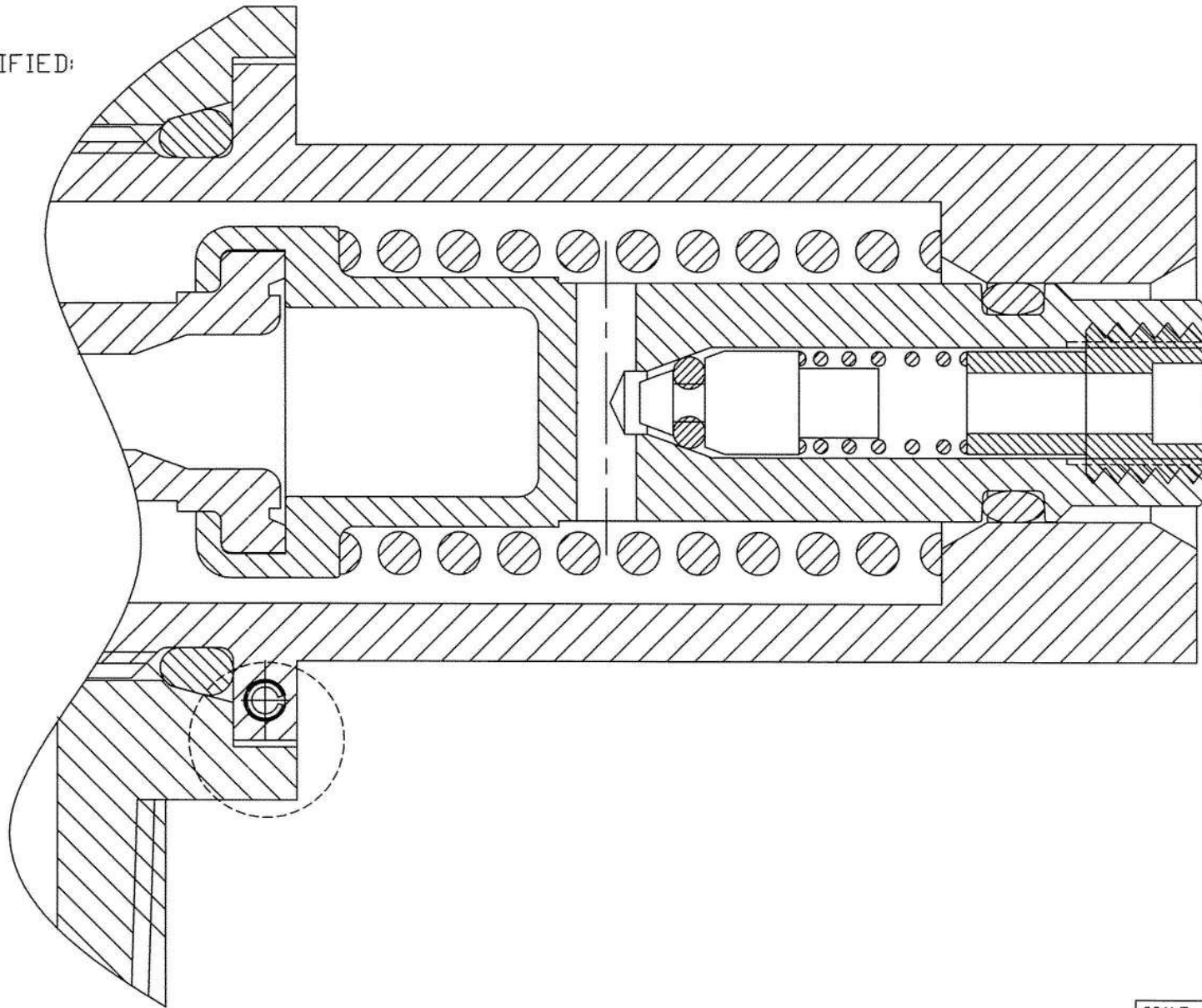
REQUIREMENTS
( ) = REFERENCE INFORMATION ASST. YES/NO/NEA
REMOVE ALL BURRS
UNLESS OTHERWISE SPECIFIED TOLERANCES ARE:
.XX : .01
.XXX : .005
ANGLES : 1°

E. C. D. NO.	REV	DESCRIPTION OF REVISION	BY	DATE	APPRV BY
-	P2	NEW POWER ELEMENT, (CUP), AND LWR BODY PER ED/PETE MARK-UPS.	FMW	03/23/10	-
-	P1	PRELIMINARY. (FROM: 4500-00-00).	FMW	03/17/10	-

DWG SIZE	TITLE	TEMP. RELIEF VALVE SHORT VERSION (35°)	FILE NO.	REVISION LEVEL
B	TEMP. RELIEF VALVE SHORT VERSION (35°)	ENG 10-14-CV	ENG 10-14	P2

SCALE: 2:1  
DRAWN BY FMW  
03/17/10  
APPROVED BY  
XX/XX/XX  
REVISION LEVEL P2

NOTES:  
UNLESS OTHERWISE SPECIFIED:



REQUIREMENTS					SCALE: 2:1	
( ) = REFERENCE INFORMATION <small>ANSI Y14.5M-1994</small>					THIRD ANGLE PROJECTION 	
REMOVE ALL BURRS					DRAWN BY <i>FMW</i> XX/XX/XX	
UNLESS OTHERWISE SPECIFIED TOLERANCES ARE:					APPROVED BY — XX/XX/XX	
.XX ± .01					DWG SIZE	TITLE
.XXX ± .005					A	XXXXXX
ANGLES: 2°					No. ENG XX-XX-X	
NEW WORK IN PROGRESS.			FMW	XX/XX/XX	—	FILE NO. ENG XX-XX
E. C. D. NO.	REV	DESCRIPTION OF REVISION	BY	DATE	APPRV BY	REVISION LEVEL
						—